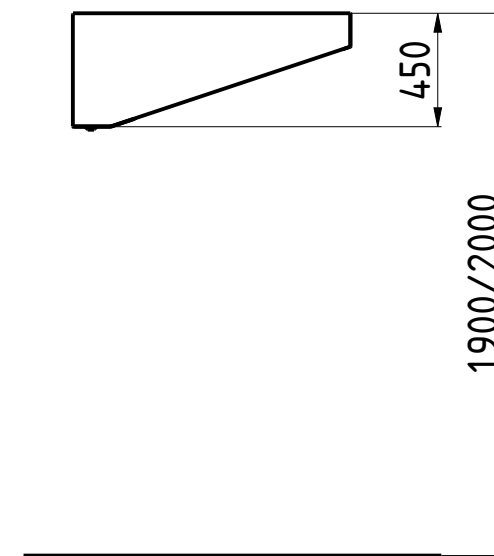
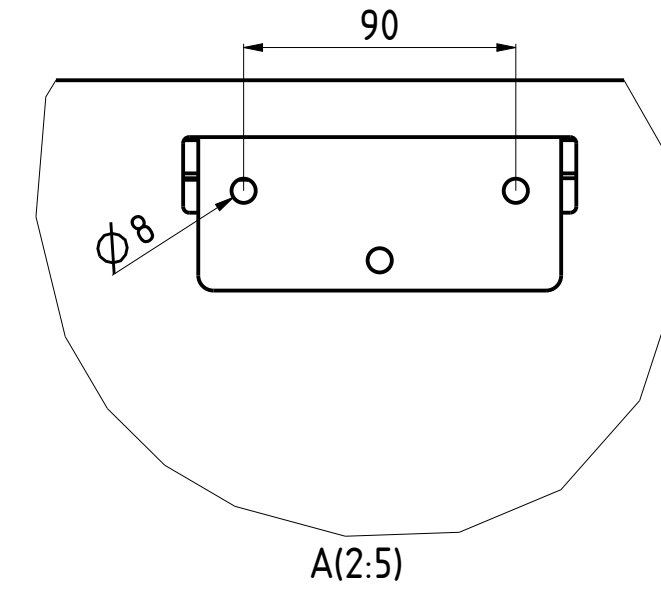
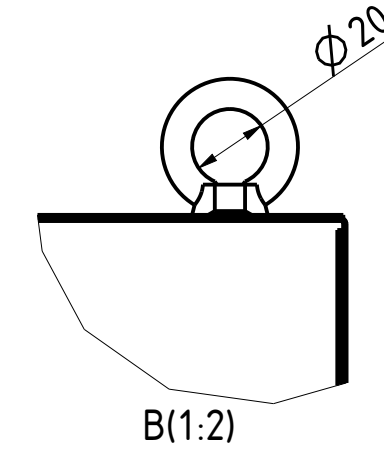
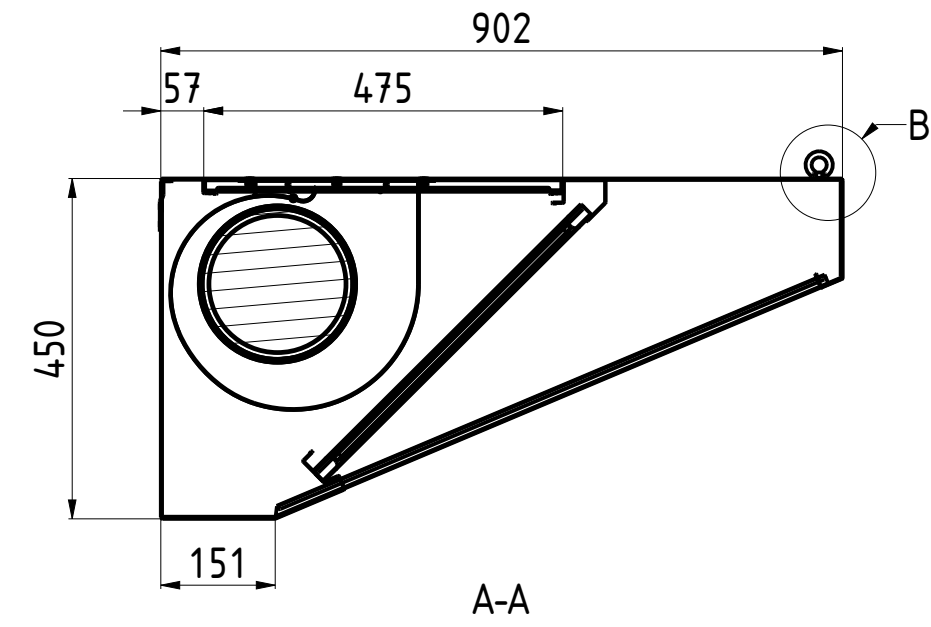
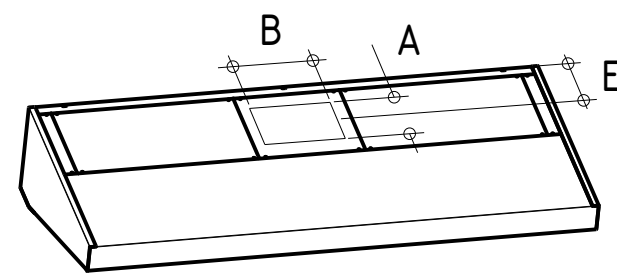
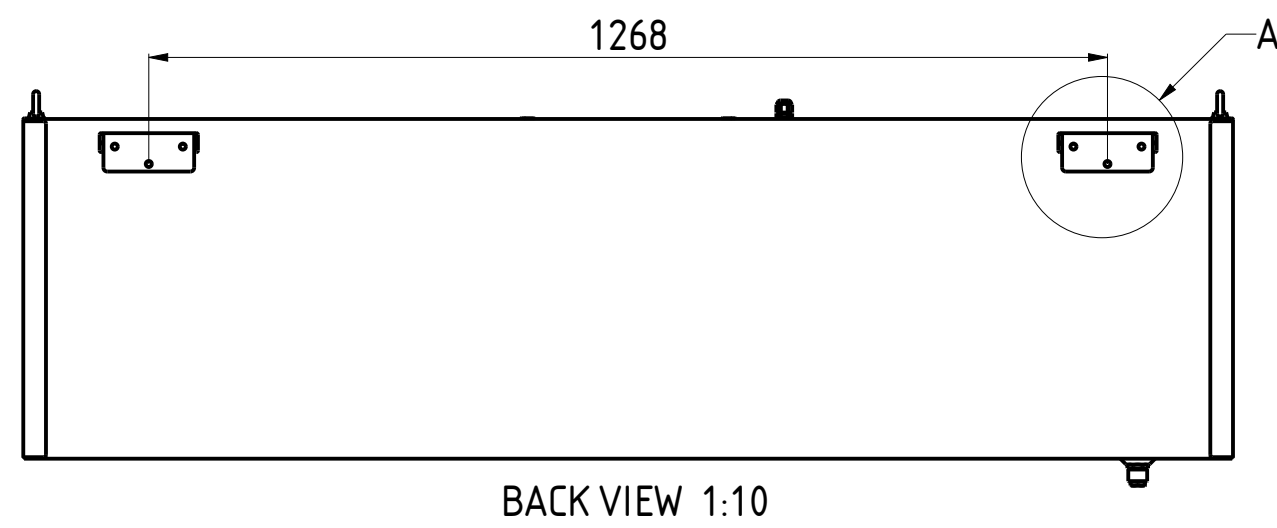
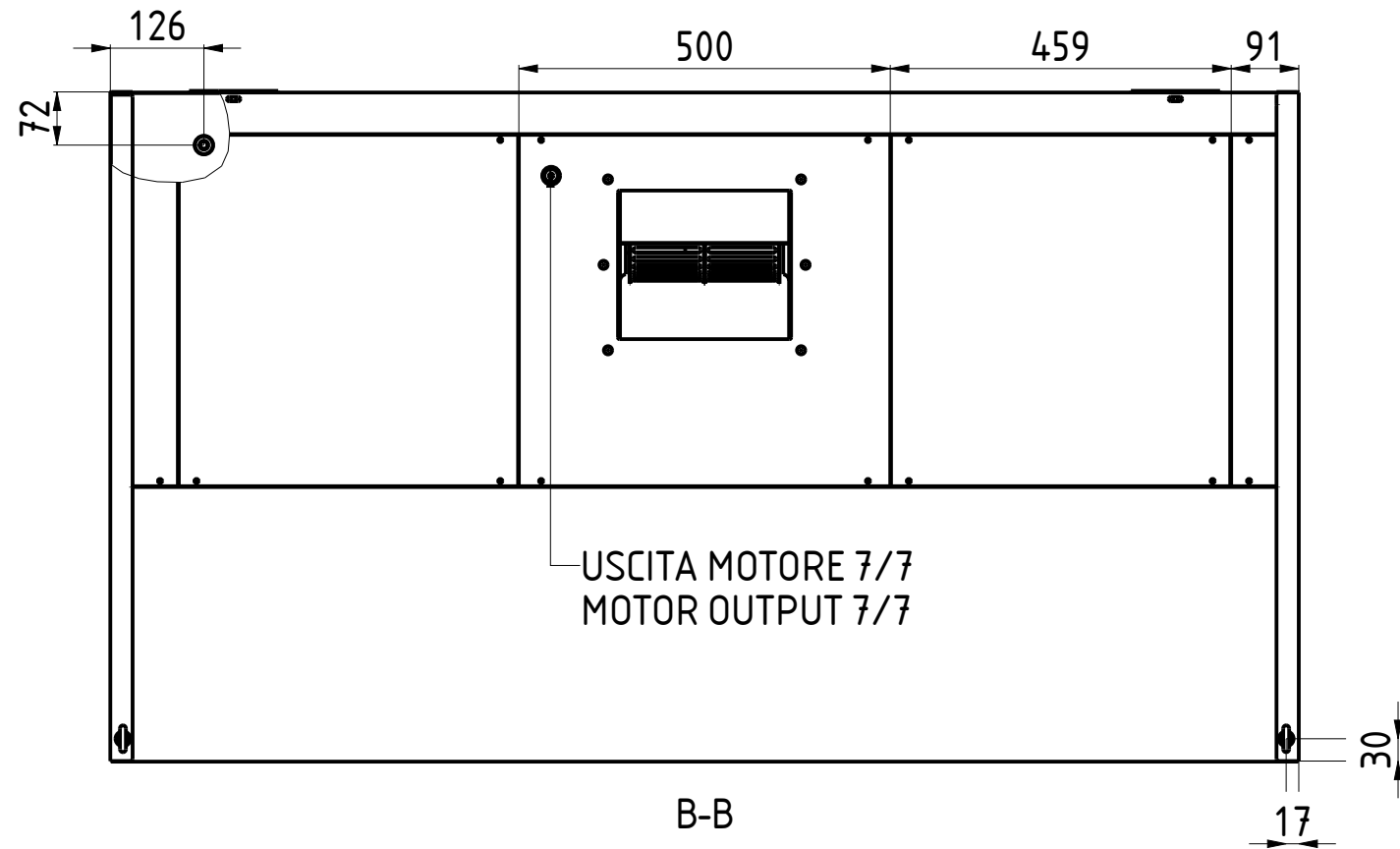
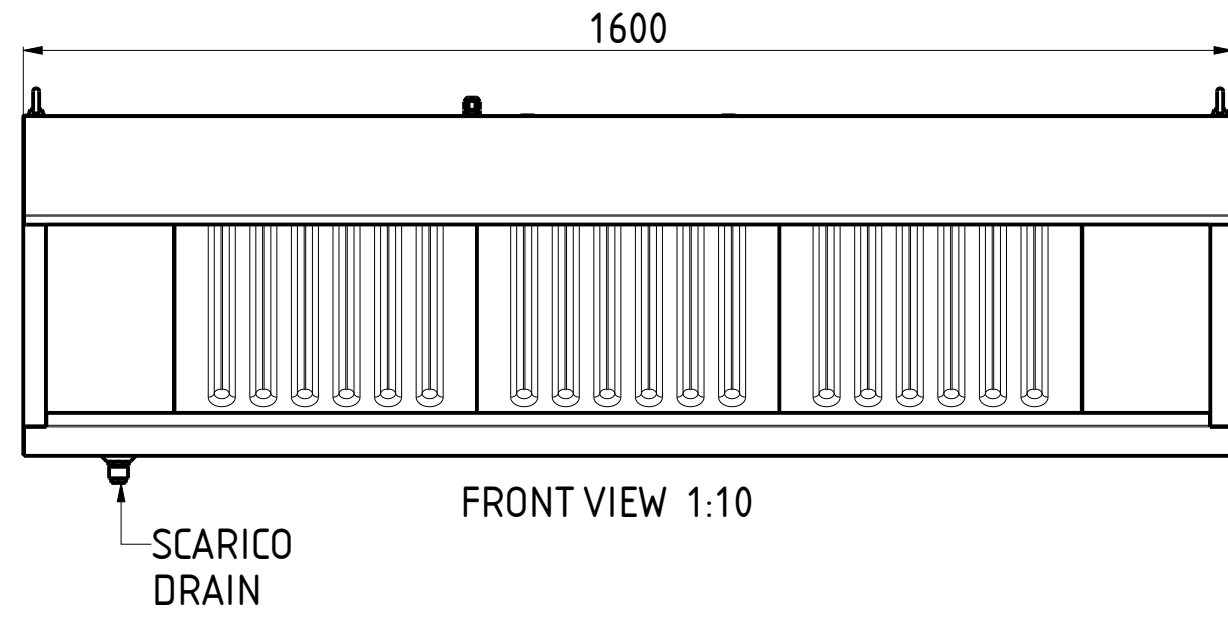
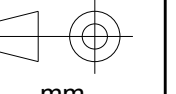


CHSN09L160M



FORO AxB HOLE AxB	E	NR. LUCI NR. LIGHTS	PORTATA FLOW RATE	HST mmH ₂ O	WATT	SDR	PESO (Kg) WEIGHT (Kg)
210x230	230	—	1800	12	147	7/7	69

DATA DATE	MODIF.N. MODIF.NO.	DESCRIZIONE MODIFICHE MODIFICATION DESCRIPTION	DISEGNATO DRAWN BY	APPROVATO APPROVED
MODELLO MODEL		CAPPA SNACK CON MOTORE 9/16 SNACK HOOD WITH MOTOR 9/16	SCALA SCALE	-
PARTICOLARE DETAIL		SCHEDA TECNICA DATA SHEET	DATA DATE	-
MATERIALE MATERIAL	AISI 304 - AISI 430	SPES. THICK.	SHEET 1 OF 2	
FINITURA FINISH		PEZZI N. PIECES NO.	ULTIMA EMISS. LAST EDITION	
TRATTAMENTO TREATMENT		COLORE COLOUR		



TOLLERANCE UNLESS OTHERWISE STATED
 QUOTE SENZA TOLLERANZA
 TOLLERANCE UNLESS OTHERWISE STATED
 QUOTE SENZA TOLLERANZA
 ELABORATO CON SISTEMA CAD
 DESIGNED BY CAD/STEM
 QUOTA PRIMARIA
 PRIMARY DIMENSION
 XX
 ANGOLI
 Angles
 >500
 ±0.75
 400-500
 ±0.65
 315-400
 ±0.60
 250-315
 ±0.55
 180-250
 ±0.50
 120-180
 ±0.45
 80-120
 ±0.40
 50-80
 ±0.35
 30-50
 ±0.30
 18-30
 ±0.25
 10-18
 ±0.20
 5-10
 ±0.15
 0-5
 ±0.10
 LUNGHEZZE E DIAMETRI
 LENGTH AND DIAM.